

## SWD® Starter Kit

The Starter Kit is designed to facilitate and accelerate the development of AGVs and AMRs using ez-Wheel's exclusive SWD® Safety Wheel Drive technology.

Pre-assembled with a safety scanner, an on-board computer and a 24V rechargeable battery, the Starter Kit platform is ready to go: start developing your mobile robot right away!

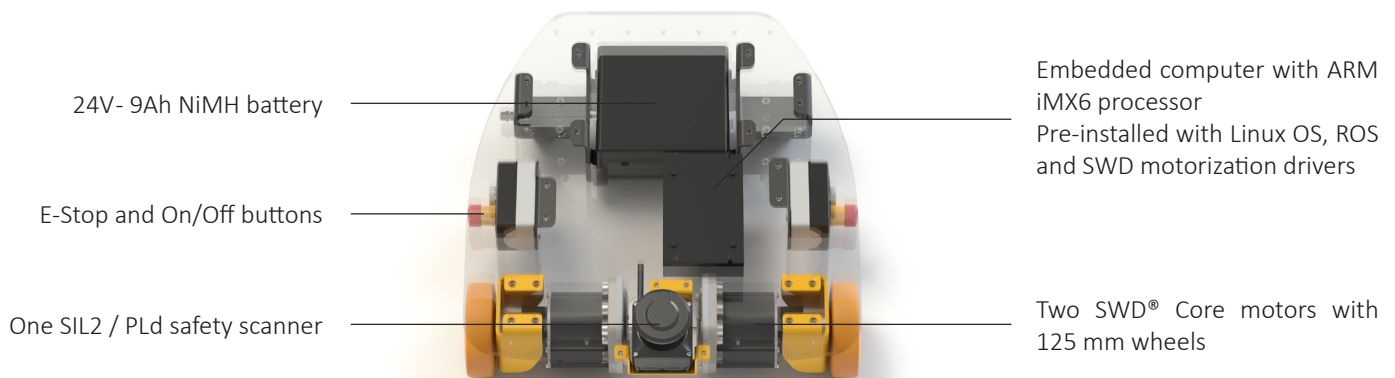
The ARM iMX6 processor-based embedded computer comes with a Linux OS supporting the ROS open-source meta system, and all the drivers needed to run the platform.

The Starter Kit offers all the exclusive safety features of the SWD® Safety Wheel Drive range such as SIL2 / PLd certified motion control, ensuring development in accordance with the ISO 3691-4 driverless truck standard.



<b>Motorization</b>	SWD® Core
<b>Sensor</b>	Scanner LiDAR SIL2 / PLd
<b>Processor</b>	ARM iMX6
<b>Speed range</b>	0 to 3 km/h
<b>Battery</b>	24 V – 9 Ah
<b>OS</b>	Linux / ROS

### Safety features according to ISO 3691-4



All values are subject to changes without prior notice.  
Values for reference, based on standard condition testing, may vary with different application cases.